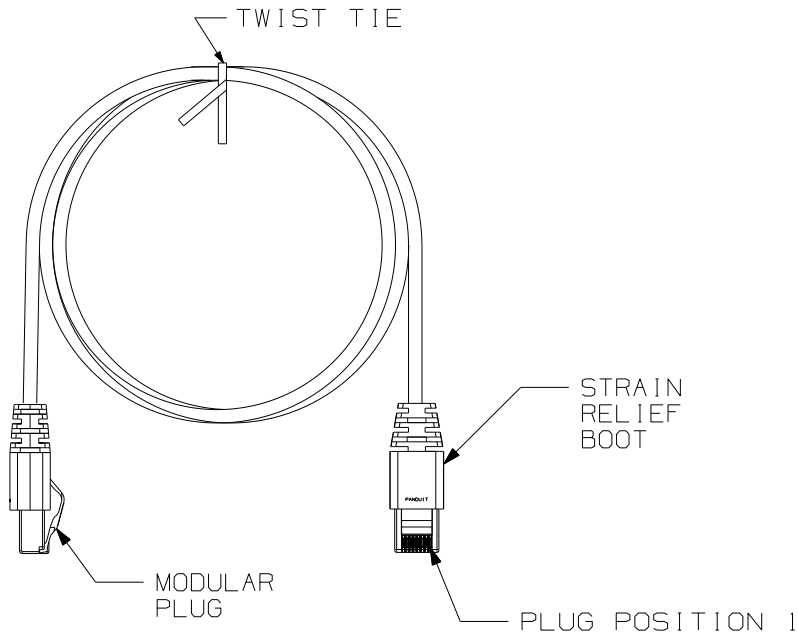


THIS COPY IS PROVIDED ON A RESTRICTED BASIS AND IS NOT TO BE USED IN ANY WAY DETRIMENTAL TO THE INTERESTS OF PANDUIT CORP.



NOTES:

- \*\*1. SEE CURRENT NETKEY™ CATALOG FOR VARIOUS APPLICATIONS AND TO INDICATE COLOR AND OR PACKAGE QUANTITY.
- 2. SEE CATALOG FOR A COMPLETE LIST OF PARTS APPLICABLE FOR USE WITH THIS PART.
- 3. TERMINATED WITH (8 POSITION) MODULAR PLUGS ON BOTH ENDS PER T568B.
- 4. CONSTRUCTED WITH 4-PR/24AWG STRANDED UTP CAT6 PATCH CABLE
- 5. MATERIAL:  
 PLUG: POLYCARBONATE  
 BOOT: THERMOPLASTIC RESIN
- 6. DIMENSIONS IN PARENTHESES ARE METRIC.

T568B WIRING SCHEME

PLUG POSITION:	CABLE WIRE:
1	WHITE/ORANGE
2	ORANGE
3	WHITE/GREEN
4	BLUE
5	WHITE/BLUE
6	GREEN
7	WHITE/BROWN
8	BROWN

CABLE COLORS	** = COLOR
WHITE	--
BLACK	BL
BLUE	BU
RED	RD
YELLOW	YL
GREEN	GR
ORANGE	OR
VIOLET	VL

PANDUIT PART NUMBER	MIN. CABLE LENGTH
NK6PC3**Y	3 FT.
NK6PC5**Y	5 FT.
NK6PC7**Y	7 FT.
NK6PC10**Y	10 FT.
NK6PC14**Y	14 FT.
NK6PC20**Y	20 FT.
NK6PC1M**Y	1 m
NK6PC2M**Y	2 m
NK6PC4M**Y	4 m
NK6PC5M**Y	5 m

MODEL FILENAME		SIZE
DRAWING FILENAME		A
MO1302CO_DC41_00A.PRT		
TITLE		
NETKEY CATEGORY 6 UTP PATCH CORD CUSTOMER DRAWING		
 PANDUIT <sup>®</sup> CORP. TINLEY PARK, IL 60477	I.T. NUMBER	
	PRODUCT SPEC	
 THIRD ANGLE PROJECTION	WORK INSTRUCTION	
	SCALE	NONE
DRAWN BY	REVIEW DRAWING NUMBERS	PART NO.
BJN		NK6PCXX**Y
DATE		DRAWING NO.
5-07-07		01302-41
CHK'D		
EJH		

REV	DATE	BY	CHK	DESCRIPTION	ECN	R	CUST	SUP	OTH
R	5-07-07	BJN	EJH	RELEASED TO PRODUCTION	01302-41	EJH	REGA		